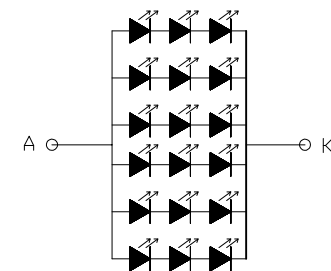
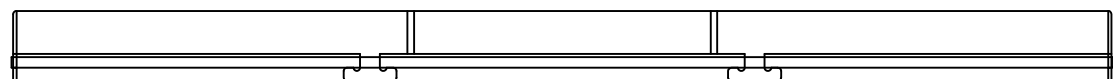
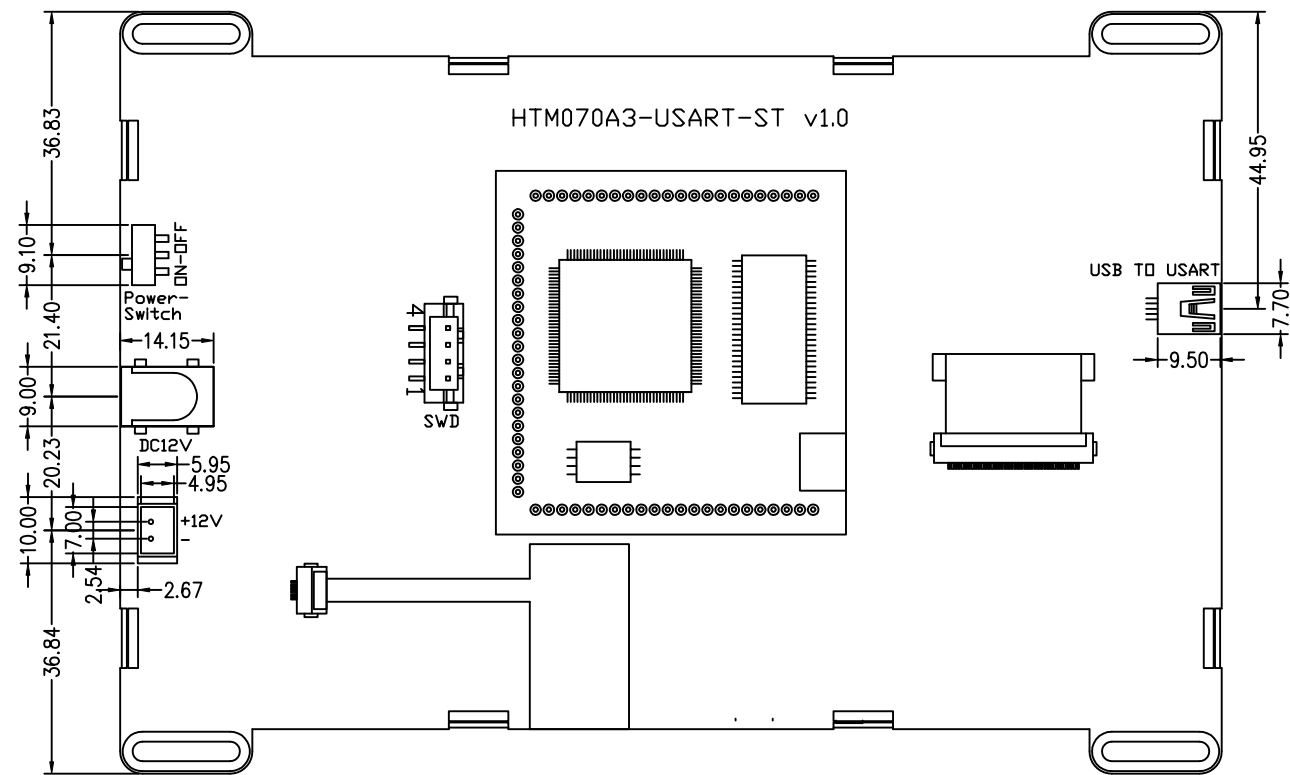
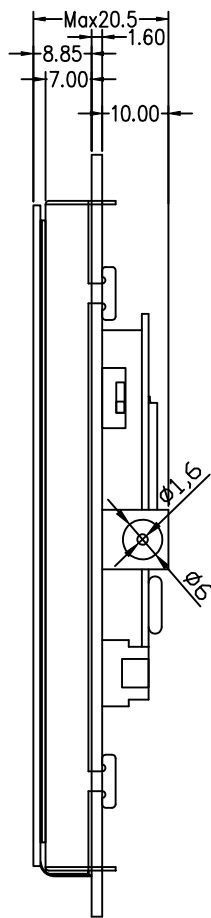
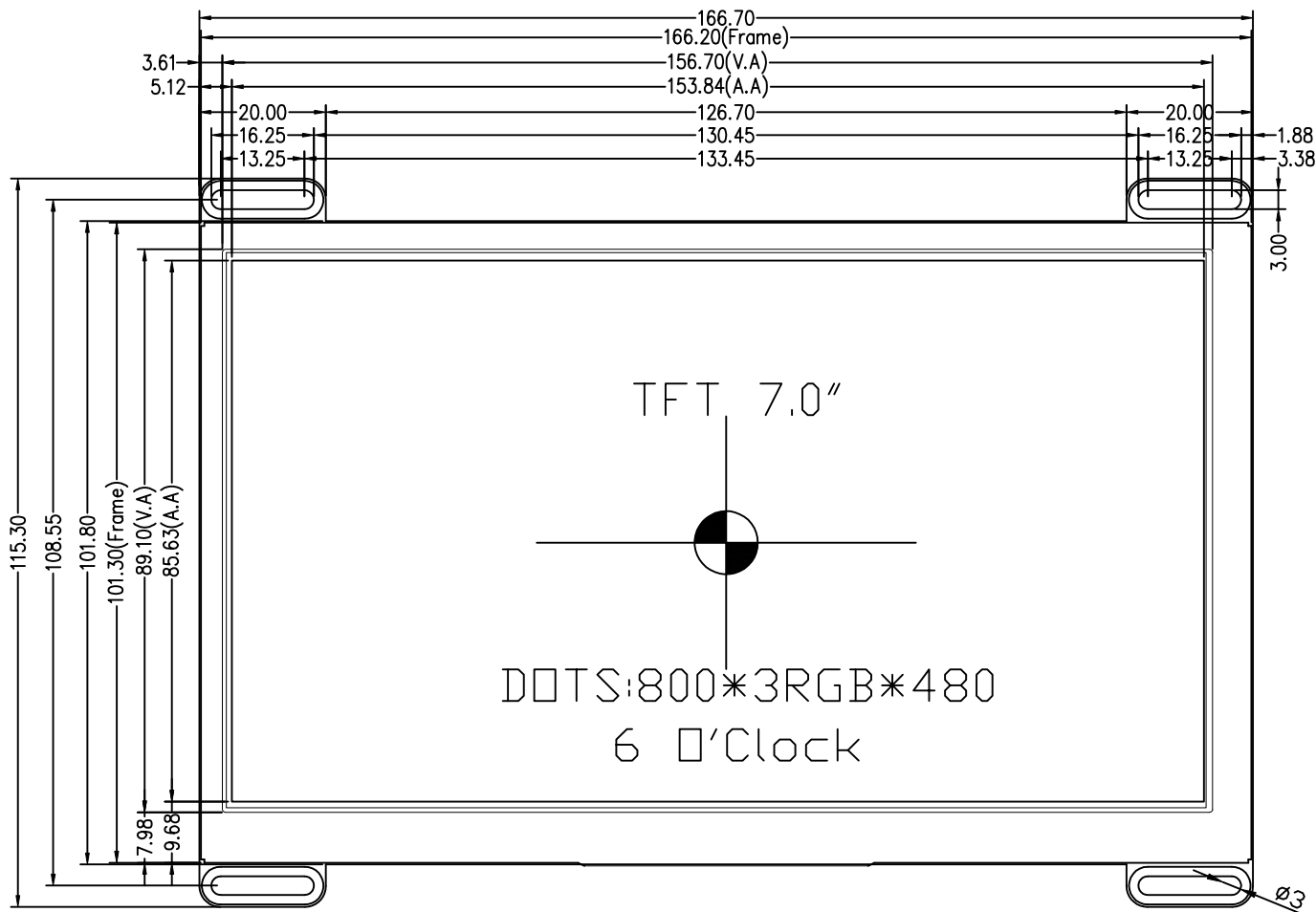


\*\*\* Do not display the fixed pattern for a long time because it may develop image sticking due to the LCM structure. If the screen is displayed with fixed pattern, use a screen saver. It is recommended to display the fixed mode for no more than 2 minutes or less.



BL CIRCUIT DIAGRAM:  
Vf=9.6V, If=120mA

| Power Supply |       |                       |
|--------------|-------|-----------------------|
| No.          | Name  | Description           |
| 1            | DC12V | Power Supply (8~24V). |
| 2            | GND   | Ground.               |

| SWD(Serial Wire Debug) |       |                              |
|------------------------|-------|------------------------------|
| No.                    | Name  | Description                  |
| 1                      | SWDIO | Bidirectional Data Transfer. |
| 2                      | SWCLK | Clock From Host To Target.   |
| 3                      | NRST  | Reset.                       |
| 4                      | GND   | Ground.                      |

|                       |                                 |                    |                              |
|-----------------------|---------------------------------|--------------------|------------------------------|
| *1. LCD Display Type  | TFT,Transmissive,Normally White | *6. Storage Temp   | -30°~80°C                    |
| *2. Viewing Direction | 6 O'CLOCK (U60/D70/L70/R70)     | *7. Driver IC      | STM32F7X, GT911              |
| *3. Interface         | USB-TO-USART                    | *8. Backlight      | WHITE Vf=9.6V If=120mA(Typ.) |
| *4. Power Supply      | 12V                             | *9. LCM Brightness | 350cd/m²(Typ)                |
| *5. Operating Temp    | -20°~70°C                       |                    |                              |



|                                   |           |                 |  |
|-----------------------------------|-----------|-----------------|--|
| Dwg Title: HTM070A3-USART-ST V1.0 |           |                 |  |
| Scale: 1:1                        | Unit: mm  | Tol: ±0.3       |  |
| Ver: B/1                          | Drawn: YE | Date: 2025-3-24 |  |